

Advanced Mechanical Projects was formed in 2018 by the merger of long-established businesses: MJI Precision Engineering and Barair Systems Limited. Working together, we have created a turnkey solution from concept to production of bespoke engineering components.



Our company offers a comprehensive range of Mechanical Engineering services. Supplying a sequential; Design, Manufacture to Commission service.

Experienced onsite Professional Mechanical Engineers; provide established consultancy support to our customers, whilst overseeing our operations at a senior level.

Across two sites; we operate a Design and Development Department and a 12,000 square foot Manufacturing and Assembly Facility.

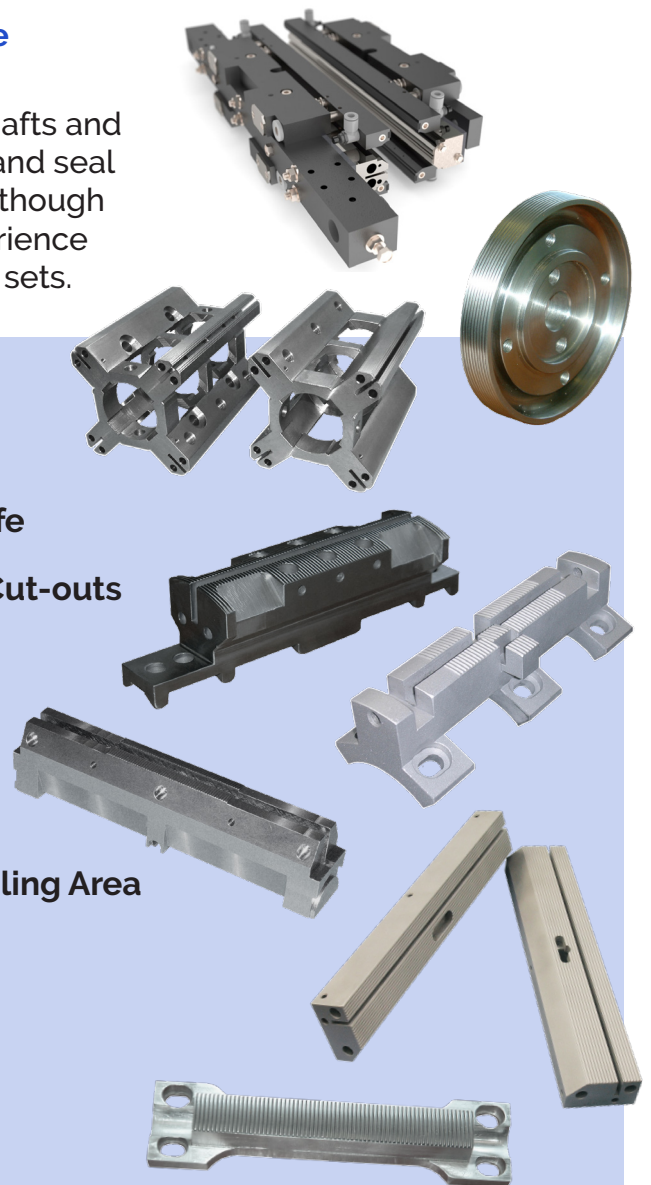
Our company are looking to continuously develop its client base and expand its operations. We provide a customer focused approach, proudly supplying high quality products.

We Design and Manufacture Sealing Jaw Sets for the Packaging Industry.

We are a leading manufacturer of crimp jaws, crimp shafts and sliding rollers for both horizontal and vertical form, fill and seal packaging machinery. Advanced Mechanical Projects, though once of its historic businesses, has over 30 years' experience of manufacturing packaging machine heat sealing jaw sets.

Typical Types of Jaw Sets Manufactured:

- **Fin Seal Roller**
- **Small Rotary Flow Wrap Sealing Jaw without Knife**
- **Rotary Flow Wrap Sealing Jaw with Hole Punch Cut-outs**
- **Rotary Flow Wrap Sealing Jaw Complete with Removable Insert**
- **Vertical Bagging Sealing Jaw Complete with Heated Euro Punch and Anvil**
- **Rotary Flow Wrap Sealing Jaw with Reduced Sealing Area**
- **Vertical Bagging Sealing Jaw**
- **Rotary Flow Wrap Quad Sealing Jaw**
- **Rotary Flow Wrap Sealing Jaw Complete with Removable Heated Euro Punch System**



Manufacturing and Assembly Site
Unit J, Middleton Business Park, Cartwright Street,
Cleckheaton, West Yorkshire BD19 5LY

Design and Technology Centre
8 John Street, Thornton, Bradford,
West Yorkshire BD13 3JS

Telephone: Sales & Drawing Office - **+44 (0)1274 426770** Manufacturing & Accounting - **+44 (0)1274 861147**

Contact Emails: Sales: sales@AdvancedMechanicalProjects.com Design: design@AdvancedMechanicalProjects.com Manufacturing: manufacturing@AdvancedMechanicalProjects.com

www.advancedmechanicalprojects.com

