

Machinery; Design and Manufacture.

Advanced Mechanical Projects provide a custom machinery design service for manufacturing automation, for a vast range of production environments.

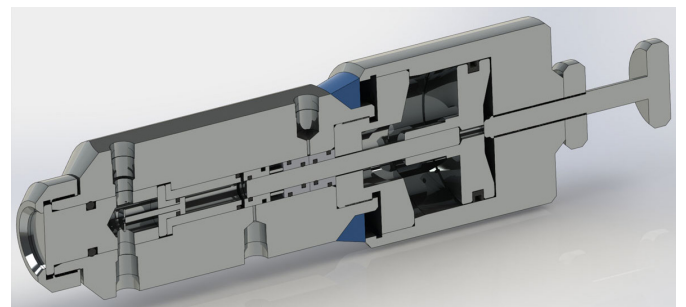
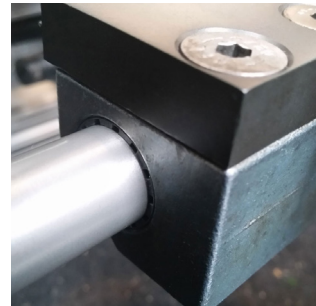
We have produced equipment for sectors, such as; food packaging, oil industry, medical equipment, manufacturing environments and research & development centres.

Advanced Mechanical Projects Limited serves as a manufacturing consultant to FTSE 100 companies and start-ups alike. Automation design and engineering of custom manufacturing equipment is a core strength.

With our considerable experience in a range of industries, we can offer; advice, equipment and the necessary support to increase your companies' efficiency.

Our fully trained specialists can assess your factory production automation needs. We can advise you on various levels of industrial automation systems; from simple handling equipment through to fully automated machines. The wide range of knowledge our experts have gained, in the field of automatic assembly machines; enables us to offer the best solution for your requirements.

Our range of products and customer service; offers an unrivalled breadth of competitively priced solutions to your automation requirements.



Our Areas of Expertise:

- Machine Design / Mechanisms Design
- Machine Service and Reconditioning
- Systems Integration (Controls, Software)
- Capital Equipment Design and Build
- Industrial Equipment Design
- Test Equipment Custom Design Fabrication
- Medical Equipment Design
- Testing Equipment Design
- Material Handling Equipment Design
- Prototype Equipment Design
- Industrial Process Equipment
- Vacuum Applications
- Pneumatic Systems
- Hydraulic Systems
- Electrical Power Distribution
- Instrumentation and Control PLC / HMI
- Robotic work cells
- Custom Robot Design
- Machine Vision Systems
- Optics / Optical Systems
- Electro / Opto / Mechanical Systems

Manufacturing and Assembly Site
Unit J, Middleton Business Park, Cartwright Street,
Cleckheaton, West Yorkshire BD19 5LY

Design and Technology Centre
8 John Street, Thornton, Bradford,
West Yorkshire BD13 3JS

Telephone: Sales & Drawing Office - +44 (0)1274 426770 Manufacturing & Accounting - +44 (0)1274 861147

Contact Emails: Sales: sales@AdvancedMechanicalProjects.com Design: design@AdvancedMechanicalProjects.com Manufacturing: manufacturing@AdvancedMechanicalProjects.com

www.advancedmechanicalprojects.com

